



# OC 500 RF 2542 Automatic (Double Decker & Maxi)

## DATA TEKNIS

### MESIN & TRANSMISI

Mesin	Mercedes-Benz OM 457 LA Euro 3 Diesel, 6-Silinder Segaris, Injeksi Langsung dengan Turbo charger dan Intercooler	
Total Isi Silinder	11.967 cc	
Diameter / Langkah	128 / 155 mm	
Daya Maksimum	310 kW (422 hp) @ 1,900 rpm	
Torsi Maksimum	1,900 Nm @ 1,100 rpm	
Transmisi	Transmisi Otomatis ZF Ecolife AP, 6 Percepatan maju dilengkapi dengan Retarder	
Perbandingan Gigi	3.36/1.910/1.420/1.000/0.720/0.620 Mundur = 4.240	
Kecepatan Maksimum	100 km/jam (DD)	120 km/jam (MAXI / SD)
Daya Tanjak	48 %	

### GANDAR

Depan (1st Axle)	Independent RL75E	
Kapasitas	7,500 kg	
Belakang (2nd Axle)	MB - RO 440	
Perbandingan Gigi	3.909 (43:11)	
Kapasitas	12,000 kg	
Belakang (3rd Axle)	ZF RL 75 Actively Steered Trailing Axle	
Kapasitas	6,000 kg	

### SUSPENSI

Depan	Suspensi Udara dengan 2 Balon Udara, 2 Double Acting Shock Absorber	
Belakang	Suspensi Udara dengan 4 balon udara, 4 Double Acting Shock Absorber	
Fitur Tambahan	Pengaturan level suspensi secara Elektronik (ENR: Electronic Level Control System)	

### REM & KEMUDI

Rem Utama	Dua Jalur Udara Tekan Penuh dengan Disc Brake	
Rem Parkir	Pegas, Kendali Udara Tekan Penuh pada Gandar Belakang	
Rem Tambahan	Retarder Digerakkan secara Elektro-Hidrolik dan Dioperasikan Melalui Lever pada Steering dengan 5 Step, Top Brake / Constant Throttle, Exhaust Brake	
Fitur Tambahan	ABS (Anti-lock Braking System), ASR (Anti Slip Regulation), EBS (Electronic Braking System), ESP (Electronic Stability Program), BAS (Braking Assist), Bus Stop Brake, Cruise Control	
Kemudi	Kemudi Power Steering ZF - Servocom 8098	

### BAN & PELEK

Ban	295 / 80 R 22.5	
Pelek	8.25 x 22.5	

### KELISTRIKAN

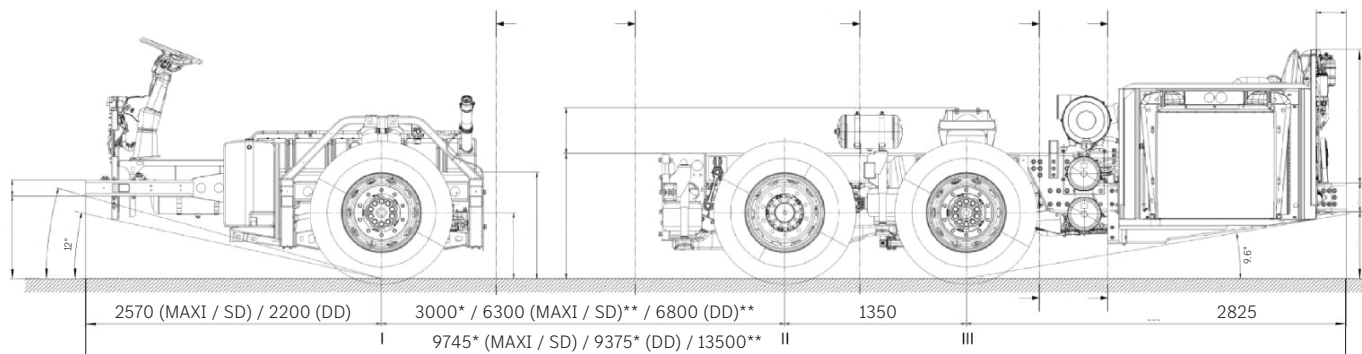
Sistem	24 V	
Alternator	28 V / 140 A (Terpasang) + 28 V / 140 A (Toolbox)	
Baterai	2 x 200 Ah, 12 V	

### TANGKI BAHAN BAKAR

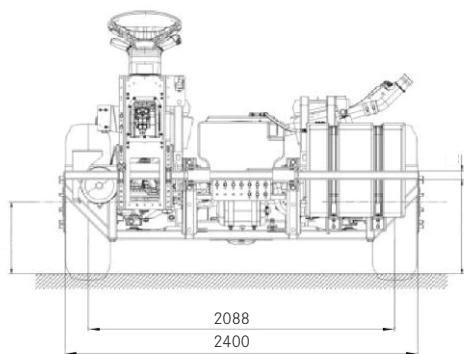
Kapasitas Tangki	410 Liter	
------------------	-----------	--

### UKURAN UTAMA

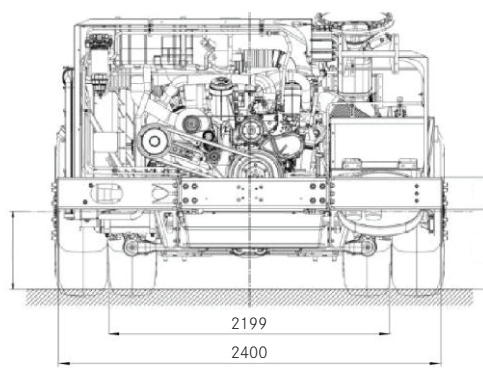
Keterangan	Double Decker (DD)	MAXI (SD)
Jarak Sumbu (I-II)	6,800 mm	6,300 mm
Jarak Sumbu (II-III)	1,350 mm	
Julur Depan	2,200 mm	2,570 mm
Julur Belakang	2,825 mm	
Panjang Total	9,375 mm (Sasis) 13,500 (Karoseri)	9,745 (Sasis) 13,500 (Karoseri)
Lebar Total	2,400 mm	
Jarak Pijak Roda Depan	2,088 mm	
Jarak Pijak Roda Belakang	2,199 mm	
Sudut Datang	12°	
Sudut Pergi	9,6°	
Radius Putar	11,900 mm	
Berat Sasis	8,442 kg	
Berat Kotor Kendaraan (GVW)	25,500 kg	



Tampak Samping



Tampak Depan



Tampak Belakang

Keterangan: \* Sasis  
\*\* Karoseri

## Bus Warranty Package.

Worry less while you make more, Mercedes-Benz Bus come with a Bus Warranty Package as a standard. The warranty entitles you with:

- Overall Vehicle Warranty: 12 months / 50,000km from delivery (whichever come first after the first 12 months following initial registration).
- Powertrain Warranty: 24 months / 100,000km from delivery (whichever come first after the first 12 months following initial registration).  
(except: Wear and Tear Part)

Our Authorized Mercedes-Benz Commercial Vehicles Dealers ensure your vehicles with service that you can trust. Every regular service, maintenance and repair are carried out by professionally trained and certified technicians using original Mercedes-Benz spare parts only.

Visit our Authorized Mercedes-Benz Commercial Vehicles Dealers at any time for more details. Our highly dedicated trained team, complete tools and sophisticated diagnostic equipment are at your service.


### PT Kalimas AI - Yogyakarta:

Jl. Raya Yogya - Solo Km. 9 Yogyakarta - 55010  
Telp.: (0274) 488130, 484213, 488916


### PT Kalimas AI - Semarang:

Jl. Raya Semarang - Demak Km. 7, Kota Semarang - 50118  
Telp.: +62-(24)-6592-811  
WA: +62-895-3911-63388

Daimler Commercial Vehicles Indonesia berhak mengubah konfigurasi produk tanpa pemberitahuan terlebih dahulu. Perubahan pada produk dapat terjadi sejak brosur ini dicetak (02.22). Foto produk pada brosur ini dapat berbeda dari produk-produk yang masuk ke Indonesia. Untuk konfirmasi lebih lanjut, silahkan hubungi Authorized Mercedes-Benz Commercial Vehicles Dealers Anda.

 and Mercedes-Benz are trademarks of Mercedes-Benz Group AG.

 kalimas.net

 instagram.com/mercedessemarang

 youtube.com/@kalimasaruindonesia8866

 facebook.com/kalimas.ai.7

**Mercedes-Benz**  
The standard for buses.

