



OH 1626 Manual & Automatic

DATA TEKNIS

MESIN & TRANSMISI

Mesin	Mercedes-Benz OM 906 LA Euro 3 Diesel, 6-Silinder Segaris, Injeksi Langsung dengan Turbo charger dan Intercooler
Total Isi Silinder	6374 cc
Diameter / Langkah	102 / 130 mm
Daya Maksimum	191 kW (260 hp) @ 2,200 rpm
Torsi Maksimum	950 Nm @ 1,200 - 1,600 rpm
Transmisi	G 85 - 6Manual, 6 Percepatan Maju
Perbandingan Gigi	6.70/3.81/2.29/1.48/1.00/0.73 Mundur = 6.29
Kopling	MF 395 Plat Kering Tunggal, Pegas Diafragma Digerakkan secara Hidrolik
Transmisi Automatic	Allison T280 *
Perbandingan Gigi	3.49/1.86/1.41/1.00/0.75/0.65 Mundur = 5.03
Kecepatan Maksimum	120 km/jam
Daya Tanjak	43 %

GANDAR

Depan (1st Axle)	VL 3 / 7 D - 6.5
Kapasitas	5,500 kg
Belakang	HH 4 / 08 D - 10.5
Perbandingan Gigi	5.22 (47:9)
Kapasitas	10,500 kg

SUSPENSI

Depan	Pegas Daun Trapezoid Dengan Double Acting Shock Absorber, Stabilizer
Belakang	Pegas Daun Trapezoid Dengan Double Acting Shock Absorber, Stabilizer

MESIN & TRANSMISI

Rem Utama	Tromol, Dua Jalur Udara Tekan Penuh
Rem Parkir	Pegas, Kendali Udara Tekan Pada Gandar Belakang
Rem Mesin	Top Brake / Constant Throttle, Exhaust Brake
Fitur Tambahan	Auto Slack Adjuster
Kemudi	Power Steering ZF 8097

BAN & PELEK

Ban	11.00 R 22.5
Pelek	8.25 x 22.5 PR 16

KELISTRIKAN

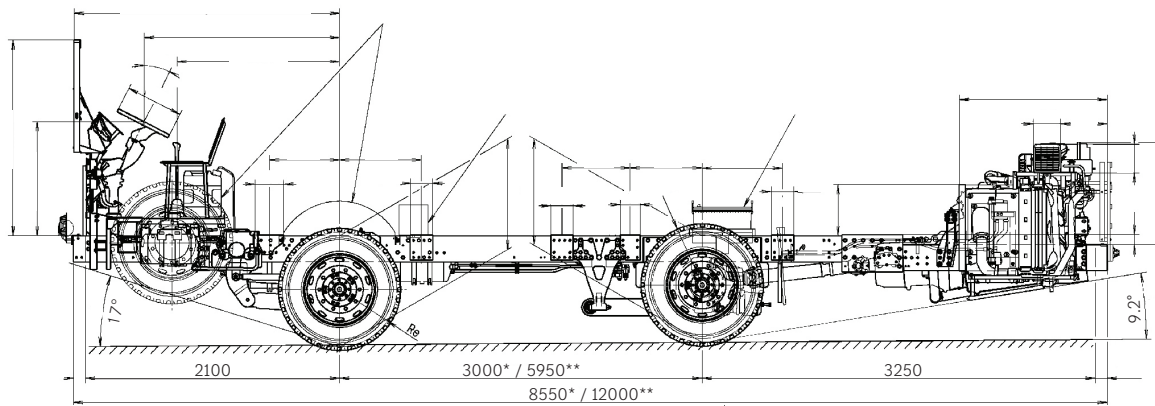
Sistem	24 Volt
Alternator	2 x 28 V / 80 A
Baterai	2 x 150Ah, 12 V

TANGKI BAHAN BAKAR

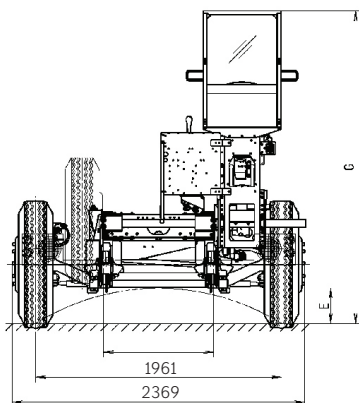
Kapasitas Tangki	300 Liter
------------------	-----------

UKURAN UTAMA

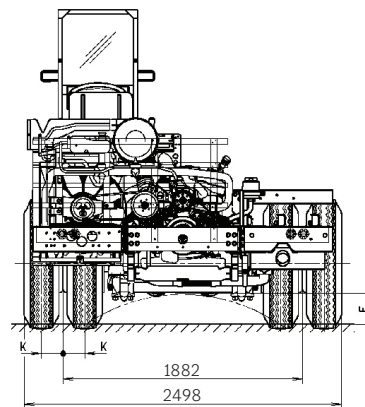
Jarak Sumbu	3,000 mm (Sasis) / 5,950 mm (Karoseri)
Julur Depan	2,200mm (Sasis)
Julur Belakang	3,350 mm (Sasis)
Panjang Total	8,550mm (Sasis) /12,000 mm (Karoseri)
Lebar Total	2,498 mm
Jarak Pijak Roda Depan	1,961 mm
Jarak Pijak Roda Belakang	1,882 mm
Sudut Datang	17°
Sudut Pergi	9.2°
Radius Putar	9,440 mm
Berat Sasis	4,900 kg
Berat Kotor Kendaraan (GVW)	16,000 kg



Tampak Samping



Tampak Depan



Tampak Belakang

Keterangan: * Sasis
** Karoseri

Bus Warranty Package.

Worry less while you make more, Mercedes-Benz Bus come with a Bus Warranty Package as a standard. The warranty entitles you with:

- Overall Vehicle Warranty: 12 months / 50,000km from delivery (whichever come first after the first 12 months following initial registration).
- Powertrain Warranty: 24 months / 100,000km from delivery (whichever come first after the first 12 months following initial registration).
(except: Wear and Tear Part)

Our Authorized Mercedes-Benz Commercial Vehicles Dealers ensure your vehicles with service that you can trust. Every regular service, maintenance and repair are carried out by professionally trained and certified technicians using original Mercedes-Benz spare parts only.

Visit our Authorized Mercedes-Benz Commercial Vehicles Dealers at any time for more details. Our highly dedicated trained team, complete tools and sophisticated diagnostic equipment are at your service.


PT Kalimas AI - Yogyakarta:

Jl. Raya Yogya - Solo Km. 9 Yogyakarta - 55010
Telp.: (0274) 488130, 484213, 488916

PT Kalimas AI - Semarang:

Jl. Raya Semarang - Demak Km. 7, Kota Semarang - 50118
Telp.: +62-(24)-6592-811
WA: +62-895-3911-63388

Daimler Commercial Vehicles Indonesia berhak mengubah konfigurasi produk tanpa pemberitahuan terlebih dahulu. Perubahan pada produk dapat terjadi sejak brosur ini dicetak (02.22). Foto produk pada brosur ini dapat berbeda dari produk-produk yang masuk ke Indonesia. Untuk konfirmasi lebih lanjut, silahkan hubungi Authorized Mercedes-Benz Commercial Vehicles Dealers Anda.

 and Mercedes-Benz are trademarks of Mercedes-Benz Group AG.

 kalimas.net

 instagram.com/mercedessemarang

 youtube.com/@kalimasarubiindonesia8866

 facebook.com/kalimas.ai.7

Mercedes-Benz
The standard for buses.

